

UBS SoniXs

REVOLUTIONIZE YOUR
END-OF-LINE [PACKAGING]
PERFORMANCE



Fully Automatic Load Securing
Strapping Machine



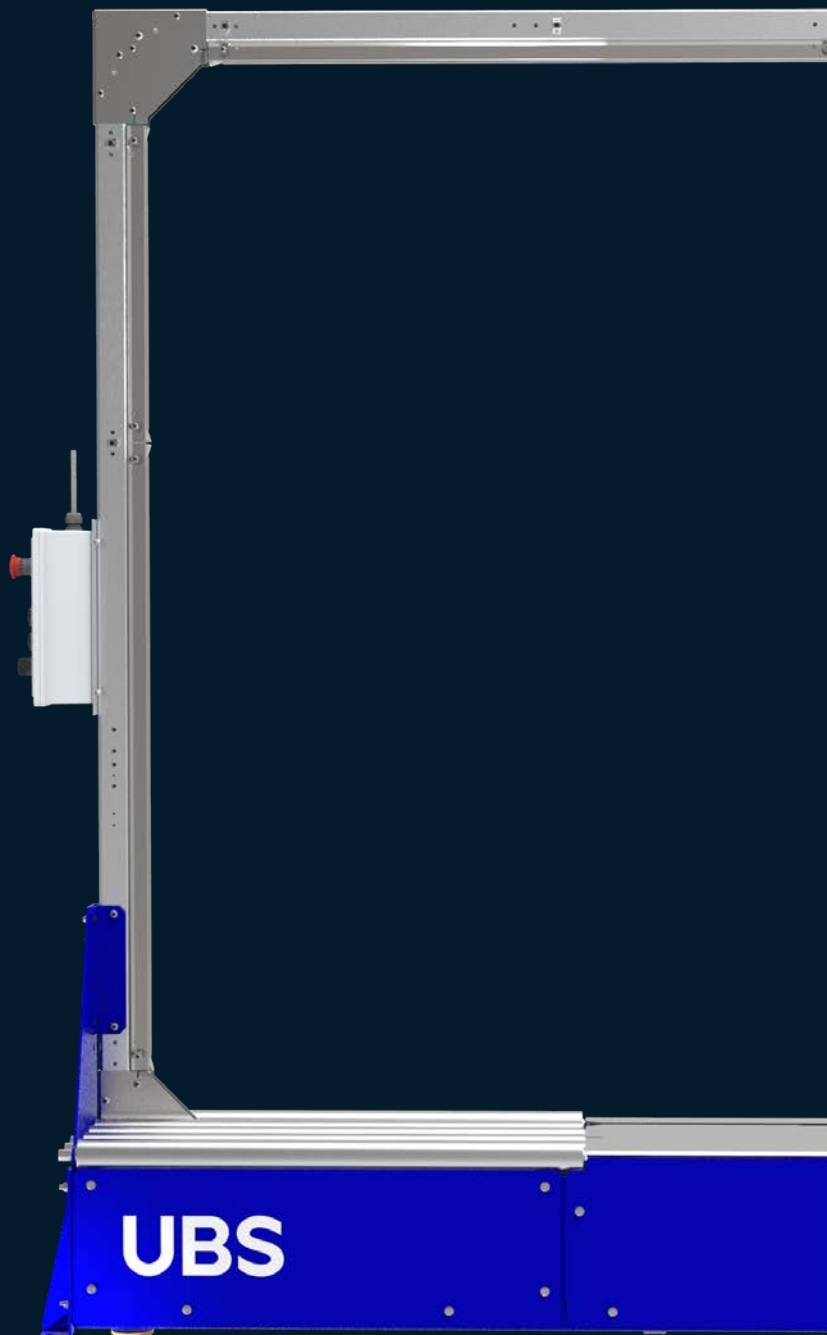
Heavy-duty SoniXs® Ultrasonic
Unitizer Sealer



Track Size Up To 2250mm Wide



Up To 8 Loads Per Minute



UBS SoniXs

FULLY AUTOMATIC STRAPPING MACHINE FOR PALLETIZED AND NON-PALLETIZED LOAD SECURING

The UBS SoniXs® is a high-tension, low profile strapping solution that integrates easily into conveyorized shipping unit packing line. The bottom seal suits irregular loads well.

For easy maintenance the heavy-duty SoniXs® strapping head can be raised by a lever. The unit lowers and locks into place by simply pushing down.



The Ultimate Strap Sealing Solution

Mosca's proprietary SoniXs® ultrasonic sealing heads have revolutionized strapping systems offering significant and proven advantages over traditional heat-seal technologies, including cost, maintenance, and longevity across all industries and applications.

Unlike heat seal systems, SoniXs® strap seals are made without the use of high-temperature components, reducing energy costs, improving safety, and generating lower emissions.

A SoniXs® seal is harder to break, and the visible evidence of a break is irreversible. The distinctive impression on Mosca's ultrasonically-sealed strap makes it easy to identify if the packaging has been tampered with. The seal will be distinguishably different if a strap is removed and reapplied.

Key Benefits

- + **INCREASED SEAL STRENGTH**
 - + **COST SAVINGS**
 - + **LASTING DURABILITY**
 - + **CONSISTENT SEALING**
 - + **WORRY-FREE PRODUCT SECUREMENT**
 - + **ENERGY CONSERVATION**
 - + **LOW MAINTENANCE**
 - + **SEALS BOTH PP AND PET**
-

TECHNICAL SPECIFICATIONS

Production Rate

Up to 8 loads per minute

Track Size

Available widths: 1750mm & 2250mm,
Available heights: 650mm - 2900mm
(Heights available in 250mm increments)

Electrical

200-575V, 50/60 hz, 3 ph

Controls

Siemens S7-300 controller with pushbutton operator interface mounted on electrical cabinet. Auto strap positioning via signal exchange with external controller.

Conveyor Height

Up to 12" min.

Conveyor Gap

15.25" minimum

Strapping

SoniXs® sealer runs 9mm-12mm PP or PET strap

Strap Tension

Infinitely adjustable up to 450 Lbs.

Strap Seal

SoniXs® ultrasonic seal, with DC brushless direct drive motor

Seal Location

Bottom center seal

Machine Shipping Weight

Approx. 1000 Lbs.

Casters

Fixed casters

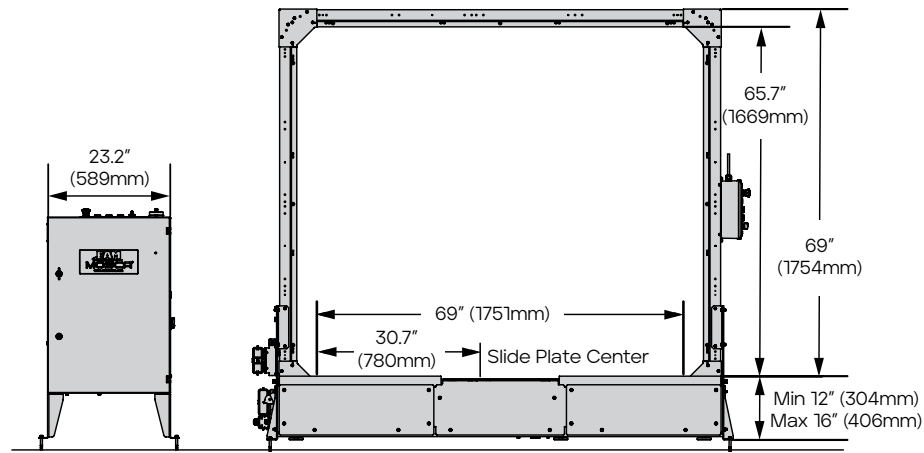
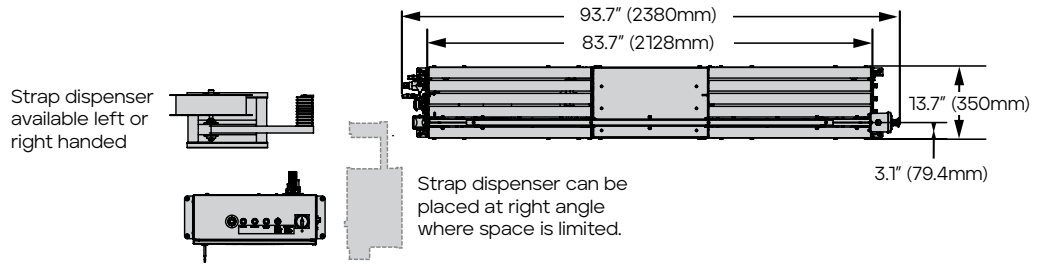
INTEGRATION CAPIBILITIES

At EAM-Mosca, we support a wide range of applications. We can integrate our products into most situations with equipment ranging from the simplest bundlers to fully automated pallet strapping, unitizing, and stretch wrapping systems. Our capabilities include designing integrated controls when appropriate and supporting broader-based system integrators as needed. We aim to provide our customers with productive and economically justifiable solutions for their end-of-line packaging needs.



Want to see
the UBS SoniXs
in action? Use
the QR code
to learn more.

MACHINE DIMENSIONS



CONTACT US FOR A FREE CONSULTATION TODAY
www.eammosca.com | info@eammosca.com

U.S.A, Latin America & The Caribbean

EAM-Mosca Corporation
 675 Jaycee Drive, Hazle Township, PA 18202
 Phone: +1 800.456.3420 / +1 570.459.3426
 Fax: 570.455.2442

Canada

EAM-Mosca Canada Ltd.
 170 William Smith Drive, Whitby, Ontario, L1N 9N3
 Phone: +1 800.633.6392 / +1 905.665.8225
 Fax: 905.665.8188