

TRC-6 SQ4 SoniXs

REVOLUTIONIZE YOUR
END-OF-LINE [PACKAGING]
PERFORMANCE



Fully Automatic Squaring Bundler



Standard 6 SoniXs® Ultrasonic Sealer



1600mm Wide Track Size



Up To 24 Bundles Per Minute



Machine Options Available



SQ4

TRC-6 SQ4 SoniXs

FULLY AUTOMATIC SQUARING BUNDLER

The TRC6-SQ4 SoniXs® fully automatic squaring bundler combines high-speed with the flexibility to strap a wide variety of bundle sizes. Mosca's SoniXs® Evolution generation features a unified strap path for improved feed reliability, and toolless track disassembly for quick maintenance and cleaning. Electrically driven backstops and side conditioners provide the bundle squaring capability for consistently uniform loads.



The Ultimate Strap Sealing Solution

Mosca's proprietary SoniXs® ultrasonic sealing heads have revolutionized strapping systems offering significant and proven advantages over traditional heat-seal technologies, including cost, maintenance, and longevity across all industries and applications.

Unlike heat seal systems, SoniXs® strap seals are made without the use of high-temperature components, reducing energy costs, improving safety, and generating lower emissions.

A SoniXs® seal is harder to break, and the visible evidence of a break is irreversible. The distinctive impression on Mosca's ultrasonically-sealed strap makes it easy to identify if the packaging has been tampered with. The seal will be distinguishably different if a strap is removed and reapplied.

Key Benefits

- + **INCREASED SEAL STRENGTH**
 - + **COST SAVINGS**
 - + **LASTING DURABILITY**
 - + **CONSISTENT SEALING**
 - + **WORRY-FREE PRODUCT SECUREMENT**
 - + **ENERGY CONSERVATION**
 - + **LOW MAINTENANCE**
 - + **SEALS BOTH PP AND PET**
-

TECHNICAL SPECIFICATIONS

Production Rate

Up to 24 single squared and strapped bundles per minute

Product Size

Smallest bundle size:

Standard: 8" W x 11" L (203mm W x 280 mm L)

Small bundle option: 7" W x 7" L (178mm W x 178mm L)

Largest bundle size:

With squaring: 56" (1423mm) W

Without squaring engaged: Up to 63" (1600mm) W

Track Size

1650mm x 600mm (65" x 23 1/2")

Electrical

200 - 575V 50/60 Hz, 1.5 KVA, 3 Ph.

Air Requirements

4 CFM @ 87 PSI

Conveyor

Extruded splined roller conveyor. Flow direction right to left

Conveyor Speed

Variable 30 - 180 FPM

Conveyor Height

Outriggers required: 25" - 30" (648mm - 775mm)

Standard: 30" - 39" (775mm - 1003mm)

Riser required: 39" - 47" (1003mm - 1194mm)

Risers + outriggers required: 47" - 54" (1194mm - 1371mm)

Risers + outriggers required: 54" - 61" (1371mm - 1562mm)

Strapping

Standard: PP - 5mm (other widths available)

Strap Tension

Infinitely adjustable from 10 - 60 Lbs.

Strap Seal

SoniXs® ultrasonic seal

Seal Location

Bottom center seal

Machine Shipping Weight

Approx. 1650 Lbs.

Casters

Four heavy-duty swivel-lock casters

OPTIONS

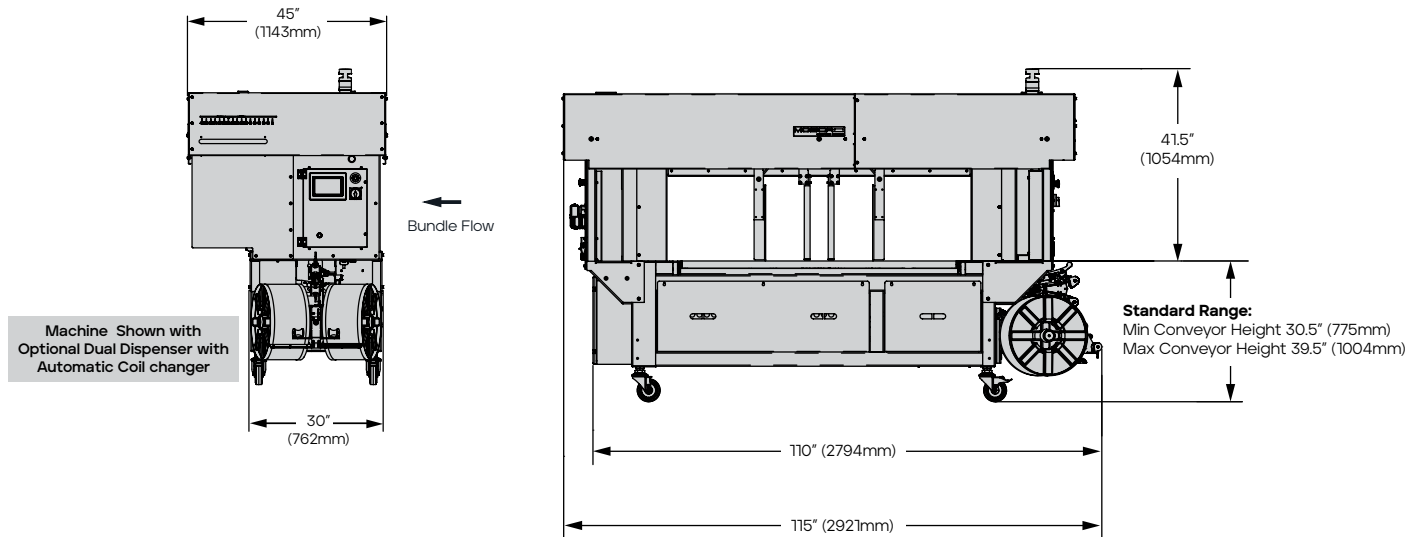
- + Powered backstops (converts to SQ4A)
- + Small bundle option
- + Dual dispenser
- + Automatic coil changer
- + Light tower
- + 30" Substitute conveyor
- + Pacer conveyors
 - Multiple sizes available
 - Belt over roller option for smoother transfer of small and unstable bundles.
- + Floor troughs
- + Under table lighting
- + Automatic blow out
- + Bundle size data transfer via external input
- + Reverse flow (left to right)
- + Automatic lateral positioning
- + Remote Support
- + Additional protective guarding
- + Custom paint color (RAL color chart)

More options available



Want to see
the TRC-6 SQ4
SoniXs® in action?
Use the QR code
to learn more.

MACHINE DIMENSIONS



CONTACT US FOR A FREE CONSULTATION TODAY
www.eamosca.com | info@eammosca.com

U.S.A., Latin America & The Caribbean

EAM-Mosca Corporation

675 Jaycee Drive, Hazle Township, PA 18202
Phone: 800.456.3420 / 570.459.3426
Fax: 570.455.2442

Canada

EAM-Mosca Canada Ltd.

170 William Smith Drive, Whitby, Ontario, L1N 9N3
Phone: 800.633.6392 / 905.665.8225
Fax: 905.665.8188