

TR-6 SoniXs

REVOLUTIONIZE YOUR
END-OF-LINE [PACKAGING]
PERFORMANCE



Fully Automatic Strapping Machine



Standard 6 SoniXs® Ultrasonic Sealer



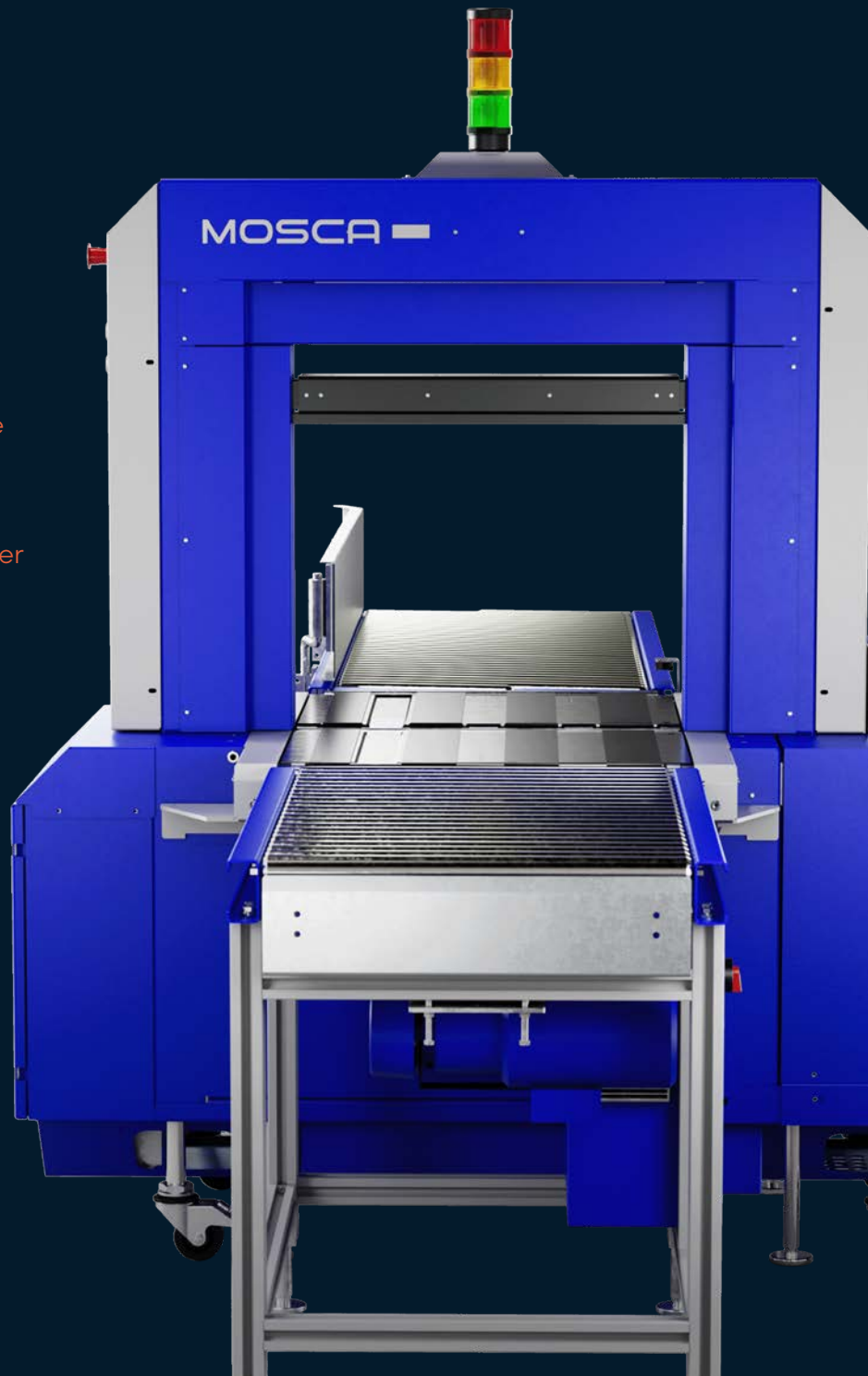
Track Size Up To 1000mm Wide



Up To 40 Units Per Minute



Machine Options Available



TR-6 SoniXs

FULLY AUTOMATIC STRAPPING MACHINE FOR CLOSING AND SECURING UNITS

The TR-6 SoniXs® fully automatic strapping machine is available in two convenient configurations, base and pro for maximum flexibility, and combines high-speed and reliability with low-cost. Leading/trailing strap placement options as standard.



The Ultimate Strap Sealing Solution

Mosca's proprietary SoniXs® ultrasonic sealing heads have revolutionized strapping systems offering significant and proven advantages over traditional heat-seal technologies, including cost, maintenance, and longevity across all industries and applications.

Unlike heat seal systems, SoniXs® strap seals are made without the use of high-temperature components, reducing energy costs, improving safety, and generating lower emissions.

A SoniXs® seal is harder to break, and the visible evidence of a break is irreversible. The distinctive impression on Mosca's ultrasonically-sealed strap makes it easy to identify if the packaging has been tampered with. The seal will be distinguishably different if a strap is removed and reapplied.

Key Benefits

- + **INCREASED SEAL STRENGTH**
 - + **COST SAVINGS**
 - + **LASTING DURABILITY**
 - + **CONSISTENT SEALING**
 - + **WORRY-FREE PRODUCT SECUREMENT**
 - + **ENERGY CONSERVATION**
 - + **LOW MAINTENANCE**
 - + **SEALS BOTH PP AND PET**
-

TECHNICAL SPECIFICATIONS

Production Rate

Base: Up to 36 units per minute
Pro: Up to 45 units per minute

Track Size

20" x 16" (500mm x 400mm), 20" x 24" (500mm x 600mm),
24" x 24" (600mm x 600mm), 31" x 24" (800mm x 600mm),
31" x 31" (800mm x 800mm), 39" x 39" (1,000mm x 1,000mm)

Electrical

100 - 240V, 50/60 Hz, 1L+N+PE (other options available
on request)

Controls

Base: Push button panel operator interface (upgrade to Pro
controls available)
Pro: B&R PLC/HMI with advanced controls

Air Requirements

Pneumatic press option: 3 CFM @ 87 psi

Conveyor Height

700 mm - 870 mm (Standard)
870 mm - 1240 mm (optional increased working height)

Strapping

SoniXs® sealer runs PP strap from 5-12mm

Strap Tension

Infinitely adjustable up to 60 lbs.

Strap Seal

SoniXs® Ultrasonic seal

Seal Location

Center seal or offset

Machine Shipping Weight

Approx. 848 Lbs.

Casters

Four swivel-lock casters
Two stabilizing feet

OPTIONS

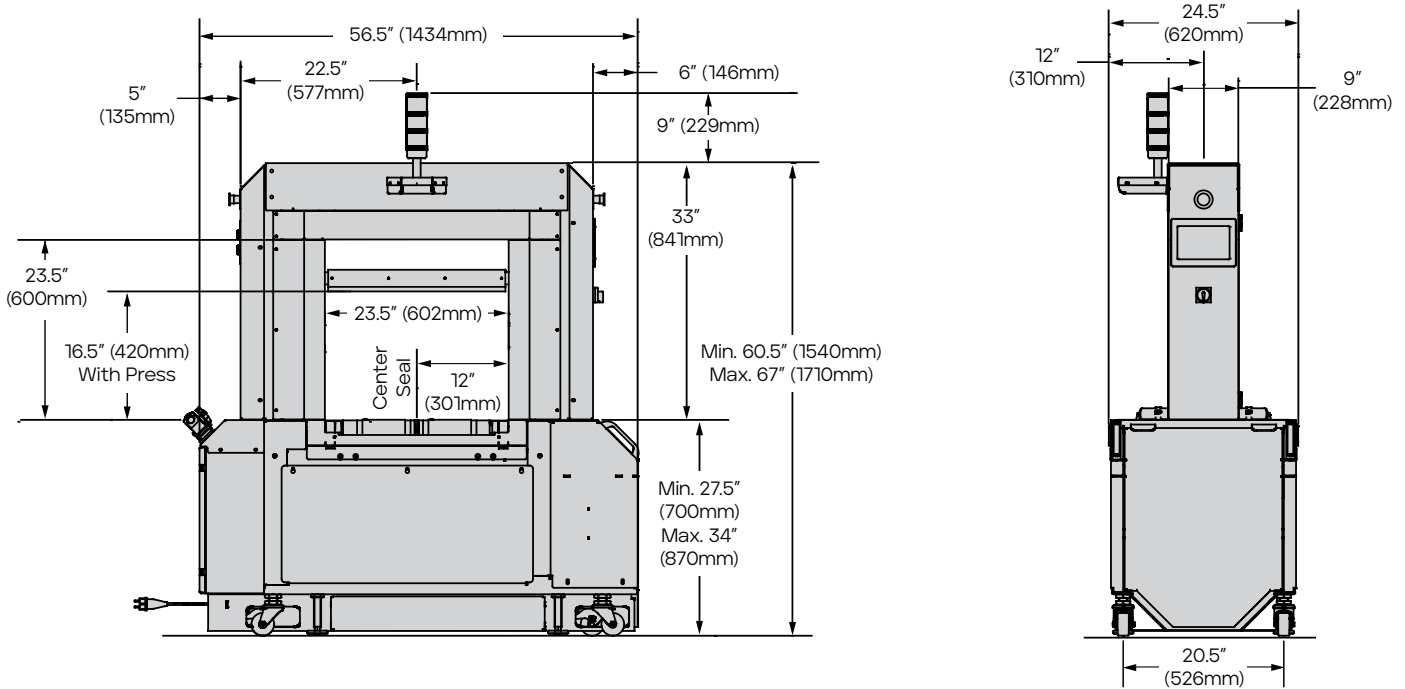
- + Photo Eye (for automatic cycle start)
- + Pneumatic press and/or backstops
- + Powered belt conveyor
- + Powered roller conveyor
- + Multiple entry/exit table lengths for belt conveyor
- + Light tower
- + Adjustable side guides
- + Remote program access (Pro model)
- + Dual dispenser
- + Automatic coil change

SCAN
HERE



Want to see the
TR-6 SoniXs®
in action? Use
the QR code
to learn more.

MACHINE DIMENSIONS



CONTACT US FOR A FREE CONSULTATION TODAY
www.eammosca.com | info@eammosca.com

U.S.A, Latin America & The Caribbean

EAM-Mosca Corporation

675 Jaycee Drive, Hazle Township, PA 18202
 Phone: 800.456.3420 / 570.459.3426
 Fax: 570.455.2442

Canada

EAM-Mosca Canada Ltd.

170 William Smith Drive, Whitby, Ontario, L1N 9N3
 Phone: 800.633.6392 / 905.665.8225
 Fax: 905.665.8188