

ROMP-6 SoniXs

REVOLUTIONIZE YOUR
END-OF-LINE [PACKAGING]
PERFORMANCE



Operator Cycled Entry Level
Strapping Machine



Standard 6 SoniXs[®] Ultrasonic Sealer



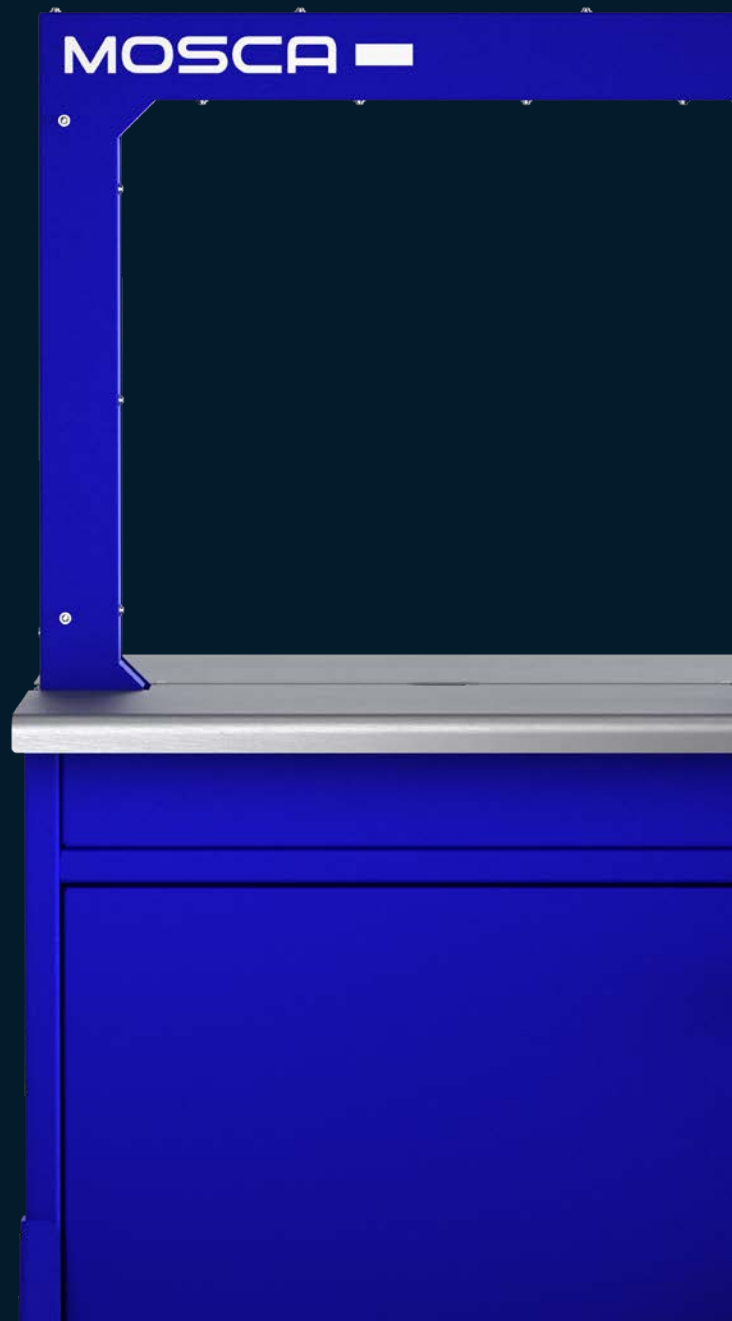
Track Size Up To 1650mm Wide



Up To 58 Bundles Per Minute



Machine Options Available



ROMP-6 SoniXs

WALK UP STRAPPING MACHINE FOR BUNDLING & CLOSING APPLICATIONS

The ROMP-6 SoniXs® operator cycled machine combines high-speed with low-cost and reliability. Features include a stainless-steel table top and multiple track sizes to accommodate various product sizes.

Machine options from a pneumatic press to a narrow sealer allow customizations for individual needs and unique applications.



The Ultimate Strap Sealing Solution

Mosca's proprietary SoniXs® ultrasonic sealing heads have revolutionized strapping systems offering significant and proven advantages over traditional heat-seal technologies, including cost, maintenance, and longevity across all industries and applications.

Unlike heat seal systems, SoniXs® strap seals are made without the use of high-temperature components, reducing energy costs, improving safety, and generating lower emissions.

A SoniXs® seal is harder to break, and the visible evidence of a break is irreversible. The distinctive impression on Mosca's ultrasonically-sealed strap makes it easy to identify if the packaging has been tampered with. The seal will be distinguishably different if a strap is removed and reapplied.

Key Benefits

- + **INCREASED SEAL STRENGTH**
 - + **COST SAVINGS**
 - + **LASTING DURABILITY**
 - + **CONSISTENT SEALING**
 - + **WORRY-FREE PRODUCT SECUREMENT**
 - + **ENERGY CONSERVATION**
 - + **LOW MAINTENANCE**
 - + **SEALS BOTH PP AND PET**
-

TECHNICAL SPECIFICATIONS

Production Rate

Up to 58 bundles per minute

Track Size

See chart on the back of the brochure

Electrical

110V - 220V 50/60 Hz, 0.5 kVA

Air Requirements

Pneumatic press option: 3 CFM @87 psi

Table

Standard: Stainless steel table top

Optional: Cylindrical or ball roller top

Table Height

Standard: 32.25"-36.5" (820mm-925mm)

Low: 28.75"-32.85" (730mm-835mm)

Extra table depth available on request

Strapping

SoniXs® sealer runs PP strap from 5-12mm and select PET straps. Optional heat sealer runs PP strap from 5-12mm.

Strap Tension

Infinitely adjustable up to 60 lbs. (27 kg)

Strap Seal

SoniXs® Ultrasonic seal with DC brushless direct drive motor

Seal Location

Center seal up to 800mm track size. Offset 12" (304mm) from arch corner, control panel side

Machine Shipping Weight

Approx. 495 Lbs. (225 kg)

Casters

Two swivel-lock casters. Two fixed casters

OPTIONS

- + Photo Eye (for automatic cycle start)
- + Remote pedal activation (for automatic cycle start)
- + Cylindrical or ball roller top
- + Pneumatic press
- + Narrow Sealer (available on 500mm x 400mm track size only. Accommodates small bundles. Min size 3" w x 2" h)
- + Dual Footbars (for dual side operation)
- + Interface (for integration in fully automated lines)

SCAN
HERE

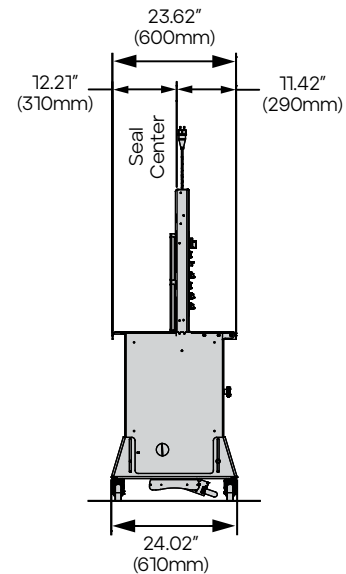
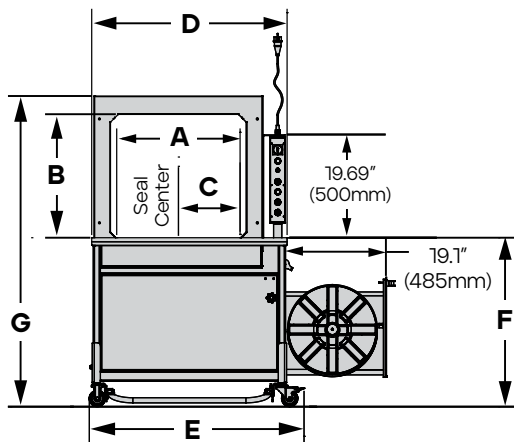


Want to see the ROMP-6 SoniXs in action? Use the QR code to learn more.



MACHINE DIMENSIONS

TRACK SIZE		MACHINE ARCH SIZE									
		A	B		C	D	E	F		G	
		Compactor						Standard	Low Caster	Standard	Low Caster
		Without	With								
500 x 400	Inches	19.7	15.8	11.8	9.9	37.4	41.1	32.3-36.4	28.7-32.9	51.6-55.7	48.0-52.2
	mm	500	400	300	250	950	1045	820-925	730-835	1310-1415	1220-1325
600 x 600	Inches	23.6	23.6	19.7	11.8	37.4	41.1	32.3-36.4	28.7-32.9	59.5-63.6	55.9-60
	mm	600	600	500	300	950	1045	820-925	730-835	1510-1615	1420-1525
800 x 400	Inches	31.5	15.7	11.8	11.8	45.3	49	32.3-36.4	28.7-32.9	51.6-55.7	48.0-52.2
	mm	800	400	300	300	1150	1245	820-925	730-835	1310-1415	1220-1325
800 x 600	Inches	31.5	23.6	19.7	11.8	45.3	49	32.3-36.4	28.7-32.9	59.5-63.6	55.9-60
	mm	800	600	500	300	1150	1245	820-925	730-835	1510-1615	1420-1525
1000 x 800	Inches	39.4	31.5	27.6	11.8	53.1	56.9	32.3-36.4	28.7-32.9	67.3-71.5	63.8-67.9
	mm	1000	800	700	300	1350	1445	820-925	730-835	1710-1815	1620-1725
1250 x 600	Inches	49.2	23.6	-	11.8	63	66.7	32.3-36.4	28.7	59.5-63.6	55.9-60
	mm	1250	600	-	300	1600	1695	820-925	730-835	1510-1615	1420-1525
1650 x 600	Inches	65	23.6	-	11.8	78.7	82.5	32.3-36.4	28.7-32.9	59.5-63.6	55.9-60
	mm	1650	600	-	300	2000	2095	820-925	730-835	1510-1615	1420-1525
1250 x 1000	Inches	49.2	39.4	-	11.8	63	66.7	32.3-36.4	28.7-32.9	75.2-79.3	71.6-75.8
	mm	1250	1000	-	300	1600	1695	820-925	730-835	1910-2015	1820-1925



CONTACT US FOR A FREE CONSULTATION TODAY
www.eamosca.com | info@eammosca.com

U.S.A, Latin America & The Caribbean

EAM-Mosca Corporation

675 Jaycee Drive, Hazle Township, PA 18202
 Phone: +1 800.456.3420 / +1 570.459.3426
 Fax: 570.455.2442

Canada

EAM-Mosca Canada Ltd.

170 William Smith Drive, Whitby, Ontario, L1N 9N3
 Phone: +1 800.633.6392 / +1 905.665.8225
 Fax: 905.665.8188