

ROM- Fusion

REVOLUTIONIZE YOUR
END-OF-LINE [PACKAGING]
PERFORMANCE



Operator Cycled Entry Level
Strapping Machine



Standard 3 Sealer



Track Size Up To 1250mm Wide



Up To 55 Bundles Per Minute



Machine Options Available



ROM- Fusion

ENTRY LEVEL WALK UP STRAPPING MACHINE FOR BUNDLING & CLOSING APPLICATIONS

The ROM-Fusion walk up operator cycled strapping machine delivers the same performance and reliability you would expect from Mosca but at a more economical price. Featuring Mosca's DC brushless direct drive technology, this machine is best suited for mid-level strapping needs and provides the perfect combination of convenience and low-cost with reliability.



TECHNICAL SPECIFICATIONS

Production Rate

Up to 55 bundles per minute

Track Size

See chart on the back of the brochure

Electrical

110-220v 60 Hz, 0.5 KVA

Table

Stainless steel table top

Table Height

31.5" - 35.5" (800mm - 905mm)

Strapping

PP strap from 5-12mm.

Strap Tension

Infinitely adjustable up to 50 lbs (22.6 kg)

Strap Seal

Heat seal with DC brushless direct drive motor

Seal Location

600mm x 500mm center seal. Larger track sizes offset 12" (304mm) from arch corner, control panel side

Machine Shipping Weight

Approx. 360 Lbs. (163 kg)

Casters

Two swivel-lock casters, two fixed casters

OPTIONS

- + Photo Eye (for automatic cycle start)

SCAN
HERE

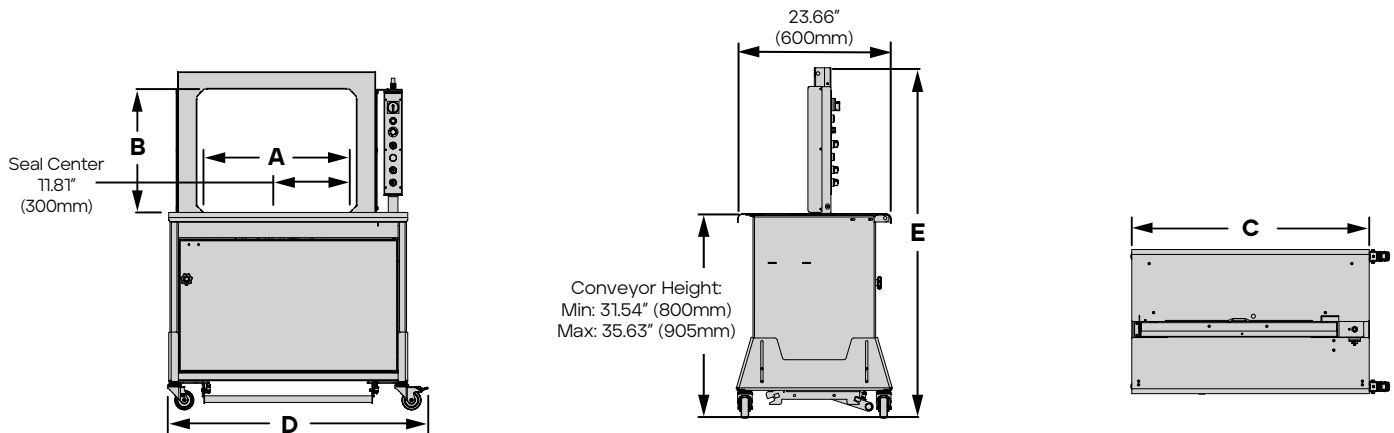


Want to see the ROM-Fusion in action? Use the QR code to learn more.



MACHINE DIMENSIONS

MACHINE ARCH SIZE						
	600 x 500		800 x 600		1250 x 600	
	Inches	mm	Inches	mm	Inches	mm
A	23.5	600	31.8	800	49.2	1250
B	19.5	500	23.5	600	23.5	600
C	39	990	47	1902	64.6	1640
D	42.9	1090	50.8	1290	68.5	1740
E	54-58	1370-1475	58-62	1470-1575	58-62	1470-1575



CONTACT US FOR A FREE CONSULTATION TODAY
www.eammosca.com | info@eammosca.com

U.S.A, Latin America & The Caribbean

EAM-Mosca Corporation

675 Jaycee Drive, Hazle Township, PA 18202
 Phone: +1 800.456.3420 / +1 570.459.3426
 Fax: 570.455.2442

Canada

EAM-Mosca Canada Ltd.

170 William Smith Drive, Whitby, Ontario, L1N 9N3
 Phone: +52 800.633.6392 / +52 905.665.8225
 Fax: 905.665.8188