



R&E

ROBOTICS & END OF LINE

## ORION FLEX LPD & FLEX HPD TURNTABLE PALLET WRAPPING SYSTEMS



### Premium features in a cost effective, rugged & reliable design.

The Flex LPD & HPD are rugged and reliable semi-automatic stretch wrapping machines with all the features you need to quickly, efficiently, and economically wrap pallet loads.

Built for the most demanding industrial environments, the Flex LPD & HPD feature the industry leading S-Carriage film delivery system, a durable steel framework that incorporates a heavy-duty 6,000 lb. ring bearing turntable support, AC motors, and Orion's unique Revo-Logic technology with photo-eye sensors that improves the precision application of programmed wraps for maximizing load containment and film yield.

#### THE S-CARRIAGE:

One of biggest advances in film carriage technology, the S-Carriage which in addition to a consistent film-saving 260% prestretch, further maximizes film yield another 5 to 15% by reducing film neckdown (width reduction). Film-force-to-load corners compensation ensures consistent load stabilizing film tension that won't crush corners.

#### GENERAL FEATURES:

- 7" IntelVue color, HD touch screen HMI
- Premium efficiency AC motors with 15 RPM variable speed "soft start"
- Revo-Logic technology for precise film application with maximum load containment and film yield
- 6,000 lb. maximum load capacity - Orion's universal base removes casters (wear items) for a robust ring bearing and allows the HPD & LPD to be field retrofit to automatic performance (HPA & LPA).
- Film saving 260% powered film pre-stretch
- Automatic force to load for even film tension
- Max load height 80" - standard, 110" - optional

#### HPD SPECIFIC FEATURES:

- 48" x 48" turntable for loads up to 55" x 55"
- Octagonal turntable for easy forklift loading

#### LPD SPECIFIC FEATURES:

- 63" diameter turntable for loads up to 55" x 55"
- Load with a pallet jack, electric walkie, or forklift
- Full surround deck for turntable protection



# Orion Flex LPD & Flex HPD Turntable Pallet Wrapping Systems

## TYPICAL PRODUCT SPECIFICATIONS

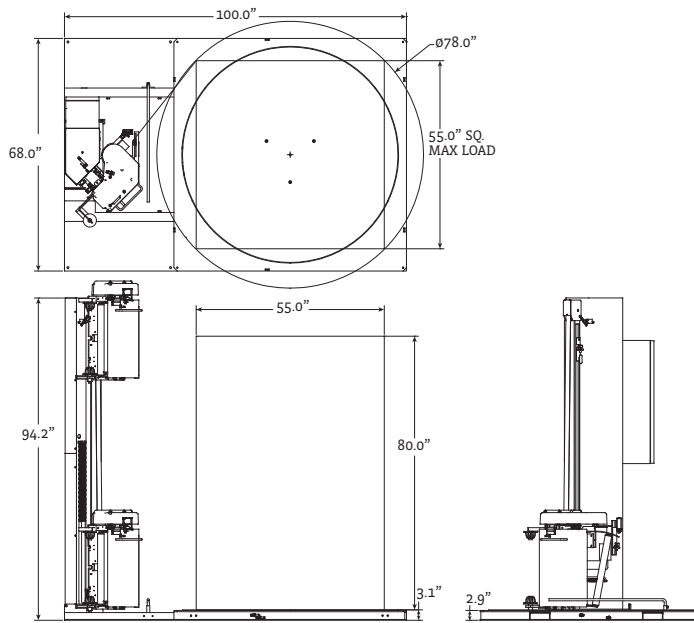
<b>Product Type</b>	Turntable semi-automatic stretch wrapping machines
<b>Speed</b>	15 RPM
<b>Display</b>	7" color IntelVue HMI
<b>Frame</b>	Heavy-duty welded tubular steel
<b>Electrical Requirements</b>	115/1/60, 20 Amp electrical service (Not suitable for GFC)

## SHIPPING WEIGHT & DIMENSIONS

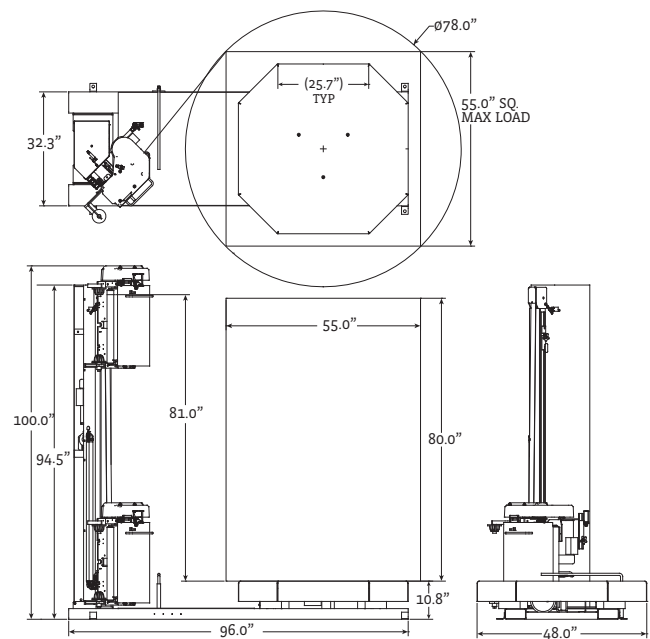
<b>LPD</b>	80" Mast Ships as 1 pc.	2,550 lbs.	6' x 8' x 8.5'
	110" Mast Ships as 2 pcs.	2,650 lbs.	base 6' x 8' x 4' tower 4' x 11' x 4.5'
<b>HPD</b>	80" Mast Ships as 1 pc.	1,650 lbs.	4' x 8' x 8.5'
	110" Mast Ships as 2 pcs.	1,750 lbs.	base 4' x 8' x 4' tower 4' x 11' x 4.5'

## MACHINE DRAWINGS

Flex LPD - Dimensions - Inches



Flex HPD - Dimensions - Inches



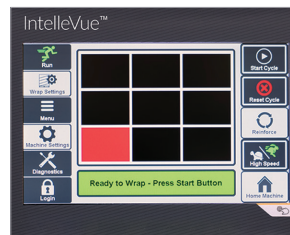
### S-Carriage InstaThread™ Film Delivery System

The unique roller pattern provides over 180% of film-to-roller contact, ensuring consistent 260% film-saving prestretch, as well as fully utilizing film width for additional savings. Provides the most secure loads at the lowest possible cost.



### Robust Ring Bearing Support

6,000 lb. maximum load capacity, and no casters which are prone to wear and maintenance needs. Downtime is reduced. Available for field retrofit applications.



### 7" IntelVue™ HMI

User-friendly, password protected touch screen controls with up to 9 different wrap recipes.

## OPTIONS

- Integrated scale
- Extended mast - 110"
- Extended base for oversized loads
- Insta-Cut Automatic Film Web Severance
- Special Load Height Photocell for dark/opaque loads
- 30" film carriage
- Dual turntables