



EoL

END OF LINE

## ORION CTS CONVEYORIZED TWIN STATION STRETCH WRAPPER



Delivering throughput speeds approaching fully automatic systems, at a fraction of the cost.

The Orion CTS increases forklift efficiency and reduces load handling times using a powered conveyor turntable, and a gravity discharge conveyor for staging and pickup. To speed throughput even further, the CTS incorporates many of the same components found in our larger, more sophisticated automatic systems.

One such device is the pneumatically activated film-tail cut-and-wipe-down, which provides a professional hands free finish to the automated wrapping process. The forklift driver doesn't have to dismount during loading, start of wrapping, or unloading. The operator simply pulls a lanyard, or uses the optional Orion remote control to begin the process – freeing time to get the next pallet or attend to other tasks.

### APPLICATION EXAMPLES:

Medium to high volume processing and distribution facilities with production rates up to 40 loads per hour.

### CTS FEATURES AND BENEFITS

- 4,000 lbs. turntable weight capacity
- Up to 15 RPM variable speed.
- Heavy duty direct chain/sprocket turntable drive
- Conveyor speed - 30 FPM with soft start
- Conveyor-powered chain driven 2.5" diameter rollers on 3.25" centers
- Pass height - 18" from the floor
- Automatic load height sensing – ideal for different pack patterns
- 260% standard film pre-stretch for maximum material savings
- Automatic film force-to-load feature constantly adapts to load shape, size and operating speed so uniform tension is applied to the entire load.
- AC motors with B&R VFD
- HMI with 7" color touch screen & 9 recipes
- Structural steel tube base frame



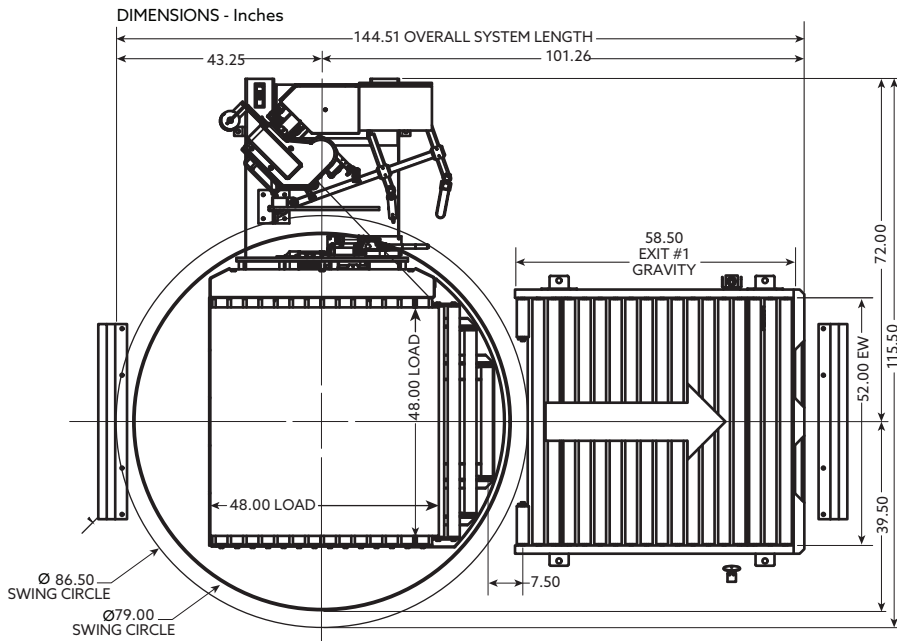
# Orion CTS Conveyorized Twin Station Stretch Wrapper

## TYPICAL PRODUCT SPECIFICATIONS

<b>Product Type</b>	Conveyorized Twin Station stretch wrapping machine w. powered conveyor turntable, and a gravity discharge conveyor staging platform
<b>Footprint</b>	144.51"L x 115.25" W
<b>Maximum Load Size</b>	48"L x 48"W x 80" H - Standard 48"L x 48"W x 110" H - Optional
<b>Minimum Load Size</b>	36" x 36" x 15" H
<b>Turntable Speed</b>	15 RPM

<b>Conveyor</b>	4,000 lb. capacity
<b>Conveyor Speed</b>	30 FPM with soft-start
<b>Display</b>	7" color IntelleVue HMI
<b>Frame</b>	Heavy-duty welded tubular steel
<b>Electrical Requirements</b>	220V - Single Phase - 60 Amp
<b>Air Requirements</b>	3 CFM @ 80 PSI
<b>Safety</b>	Category 0 - no safety rating

## DIMENSIONS



## OPTIONS

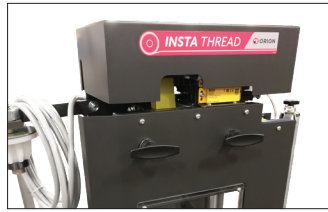
- Upgraded ELITE conveyor options
- Extended masts up to 110" high
- 30" film roll carriage
- Integrated Electronic Weigh Scale
- Thermo-bar film cutter
- Pneumatic film blower
- Manual film roping device
- Wireless remote start

## STANDARD FEATURES



### Automatic Film Clamp & Cut

The same system used on our fully automatic wrappers. Provides a professional hands free finish, while saving time and reducing labor costs. The forklift driver simply initiates the process, and moves on to the next task.



### Film Carriage Pre-stretch

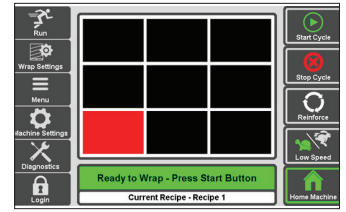
Insta-thread Powered Pre-stretch Film System elongates film at a standard rate of 260%, providing the most secure loads at the lowest cost.

- Automatic film force-to-load control
- Easy "drop-in" film threading
- Load height detection photocell



### Heavy Duty Direct Chain/Sprocket Turntable with Soft-start

Precision ring bearing turntable supports up to 4,000 lb. load capacity, at speeds up to 15 RPM. VFD controlled soft-start improves load stability during the wrapping process.



### 7" IntelleVue HMI Control

User-friendly, password protected touch screen with up to 9 different wrap recipes.

- Separate top/bottom wrap counts
- Ethernet port for remote connectivity and diagnostics
- Touch-screen film tension adjustment