

# MOM-8

REVOLUTIONIZE YOUR  
END-OF-LINE [PACKAGING]  
PERFORMANCE



Operator Cycled Entry Level  
Strapping Machine



Standard 3 Sealer



Trackless



Operator Dependent



# MOM-8

## ENTRY LEVEL WALK UP STRAPPING MACHINE FOR BUNDLING & CLOSING APPLICATIONS

The MOM-8 is a trackless, operator cycled table-top strapping machine based on Mosca's ROM-Fusion strapping machine. Featuring Mosca's DC brushless direct drive technology, this machine is best suited for low to mid-volume packaging operations where highly reliable performance is required.



---

## TECHNICAL SPECIFICATIONS

---

### Production Rate

Operator Dependent

---

### Track Size

Trackless

---

### Electrical

110v 0 Hz, 0 KVA

---

### Table

Stainless steel table top

---

### Table Height

Infinitely adjustable from 32" to 35.5" (820mm - 905mm)

---

### Strapping

Heat sealer runs PP strap 5mm, 8mm, 12mm

---

### Strap Seal

Heat seal with DC brushless direct drive motor

---

### Machine Shipping Weight

Approx. 200 Lbs.

---

### Casters

Two swivel-lock casters, Two fixed casters

---



SCAN  
HERE

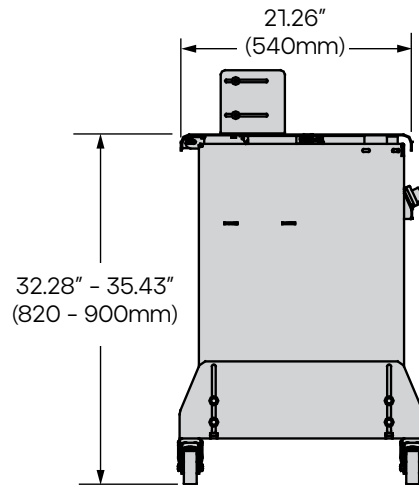
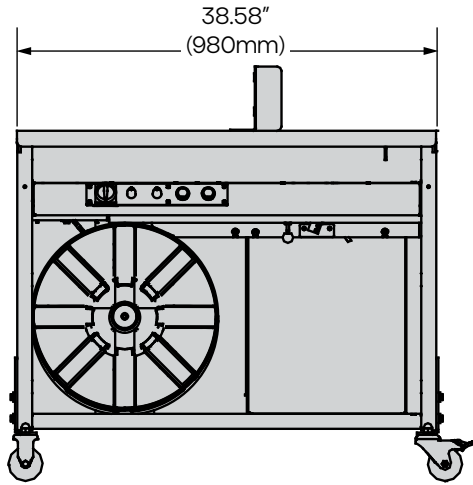
Want to see the  
MOM-8 in action?  
Use the QR code  
to learn more.



---

## MACHINE DIMENSIONS

---



---

CONTACT US FOR A FREE CONSULTATION TODAY  
[www.eammosca.com](http://www.eammosca.com) | [info@eammosca.com](mailto:info@eammosca.com)

### U.S.A, Latin America & The Caribbean

#### EAM-Mosca Corporation

675 Jaycee Drive, Hazle Township, PA 18202  
Phone: +1 800.456.3420 / +1 570.459.3426  
Fax: 570.455.2442

### Canada

#### EAM-Mosca Canada Ltd.

170 William Smith Drive, Whitby, Ontario, L1N 9N3  
Phone: +52 800.633.6392 / +52 905.665.8225  
Fax: 905.665.8188