

CTE SoniXs

REVOLUTIONIZE YOUR
END-OF-LINE [PACKAGING]
PERFORMANCE



All-Electric Compression Unitizer



Up To 4 SoniXs® Sealing Heads



Up To 210 Loads Per Hour



Machine Options Available



EAM-MOSCA®

CTE SoniXs

4 HEADED ELECTRIC COMPRESSION UNITIZER

The CTE SoniXs® all electric compression unitizer features a heavy-duty powered roller conveyor with tangential chain drive for consistent load positioning. Optional "MoscaTrak" diagnostics and data collection screen provides real-time data to determine corrective actions and maximize up-time. The CTE SoniXs® can also accommodate up to four strapping heads and comes with Dual Pawl Platen Support.



The Ultimate Strap Sealing Solution

Mosca's proprietary SoniXs® ultrasonic sealing heads have revolutionized strapping systems offering significant and proven advantages over traditional heat-seal technologies, including cost, maintenance, and longevity across all industries and applications.

Unlike heat seal systems, SoniXs® strap seals are made without the use of high-temperature components, reducing energy costs, improving safety, and generating lower emissions.

A SoniXs® seal is harder to break, and the visible evidence of a break is irreversible. The distinctive impression on Mosca's ultrasonically-sealed strap makes it easy to identify if the packaging has been tampered with. The seal will be distinguishably different if a strap is removed and reapplied.

Key Benefits

- + **INCREASED SEAL STRENGTH**
 - + **COST SAVINGS**
 - + **LASTING DURABILITY**
 - + **CONSISTENT SEALING**
 - + **WORRY-FREE PRODUCT SECUREMENT**
 - + **ENERGY CONSERVATION**
 - + **LOW MAINTENANCE**
 - + **SEALS BOTH PP AND PET**
-

TECHNICAL SPECIFICATIONS

Production Rate Per Hour*

2 x 0 Pattern - Without Lances: 210 With Lances: 160
2 x 2 Pattern - Without Lances: 105 With Lances: 90

*Assumes 48" x 48" x 48" load. Throughput speeds can vary depending on conveyor speed, load size, compressibility, turning devices, and use of pallet or void feeders.

Load Dimensions

Width: 20" - 98" (508mm - 2489mm)
Optional wide body 20" - 110" (508mm - 2794mm)
Min Length: 20" (508mm)
Height Without Lances: 8" - 96" (203mm - 2439mm)
Height With Lances: 12" - 96" (305mm - 2439mm)
Max Diagonal: 100" (2540mm) (Applies only to the optional internal turntable)

No. of Strapping Heads

Model 802: 2 Heads
Model 803: 3 Heads
Model 804: 4 Heads

Head Spacing

Model 802: 15" (381mm) or 23.5" (597mm)
Model 803: 15" - 23.5" (381mm - 597mm)
Model 804: 15" - 23.5" - 15" (381mm - 597mm - 381mm)

Electrical

480VAC 3pH, 60 Hz, 40 Amps

Controls

O.E.M. Controls: Allen-Bradley CompactLogix PAC Standard

Conveyor

Dual strand tangential chain drive for consistent load positioning. Heavy duty 2" (51mm) diameter steel rollers on 3.5" (89mm) and 4" (102mm) centers.

Conveyor Speed

60 Ft Per Minute (standard), 45 Ft Per Minute (optional)

Compression

Electric Compression.
Touch up to 8000 Lbs. 10 settings.

Strapping

PET strap: 9mm, 11mm, or 12mm
PP strap: 12mm

Strap Seal

SoniXs® ultrasonic seal

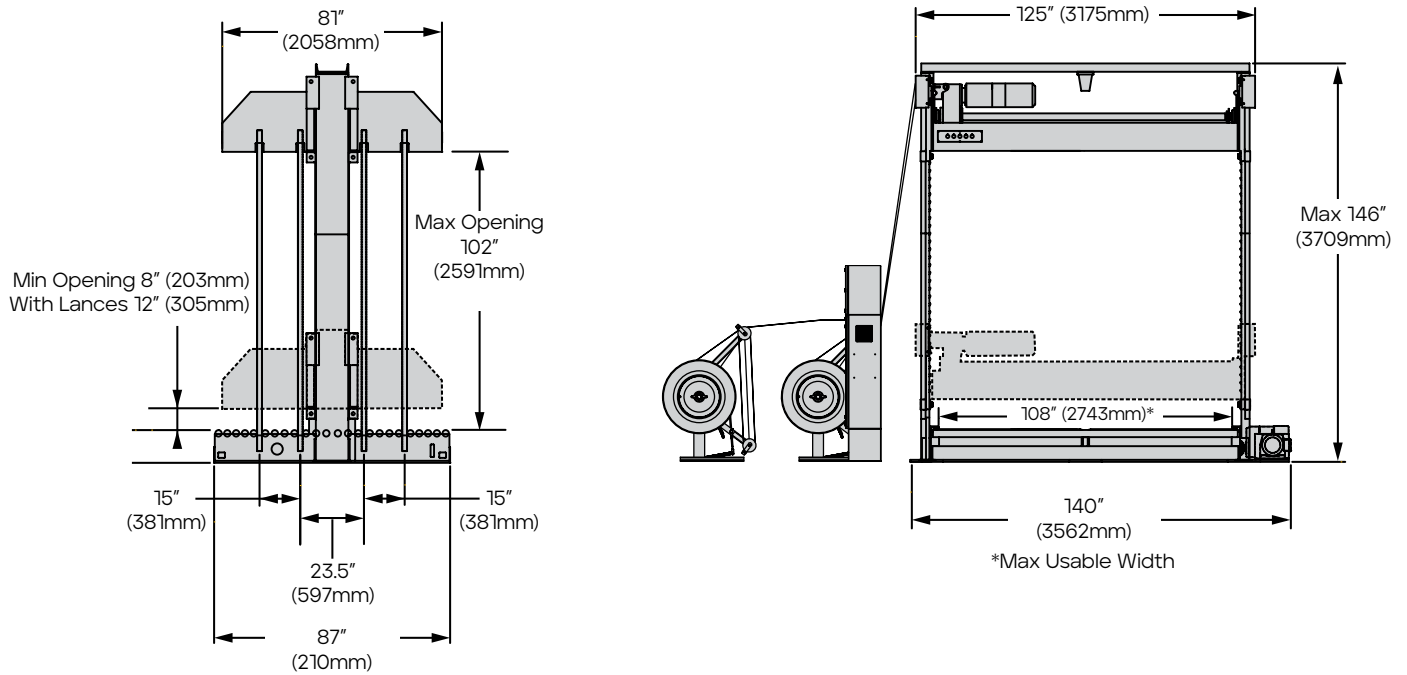
OPTIONS

- + Moscatrak (performance and maintenance diagnostic tool)
- + Internal turntable (cross-arm style. Continuous in either direction. Load capacity 2,500 lbs)
- + Lances (PVFA) feed strap through pallet voids with "Clear path" sensing
- + Spare head/test stand
- + Manual control station
- + Extra high platen opening
- + Wide body
- + End of coil strap catching and strap splicing device
- + Custom paint (RAL color chart)



Want to see the CTE SoniXs® in action? Use the QR code to learn more.

MACHINE DIMENSIONS



CONTACT US FOR A FREE CONSULTATION TODAY
www.eammosca.com | info@eammosca.com

U.S.A., Latin America & The Caribbean

EAM-Mosca Corporation

675 Jaycee Drive, Hazle Township, PA 18202
Phone: 800.456.3420 / 570.459.3426
Fax: 570.455.2442

Canada

EAM-Mosca Canada Ltd.

170 William Smith Drive, Whitby, Ontario, L1N 9N3
Phone: 800.633.6392 / 905.665.8225
Fax: 905.665.8188