



*picture shown with optional infeed & outfeed table and casters

 **WEXXAR BEL®**

BEL 150

SEMI-AUTOMATIC TOP & BOTTOM TAPE CASE SEALER

EoL

END OF LINE

BEL 150

SEMI-AUTOMATIC TOP & BOTTOM TAPE CASE SEALER

BEL 150 UNMATCHED LONG-TERM CASE SQUARING

BEL 150's Uni-Drive conveyors ensure squared sealed cases even after long term use and motor wear and tear.

Delivers Reliable And Low Maintenance Performance

The BEL 150 is a high quality, semi-automatic, top and bottom pressure sensitive tape case sealer designed for the entry level market. This versatile and compact machine can seal a wide range of case sizes and fit in operations with limited floor space. When combined with a BEL case former, it allows one operator to form, pack and seal corrugated cases in a single operation.

A main feature of the BEL 150 is the Uni-Drive System, which powers both side belts with a single motor. This allows the belts to always be in sync, consistently providing a square seal even after years of prolonged use. This simple and rugged design will deliver years of reliable and low maintenance performance.

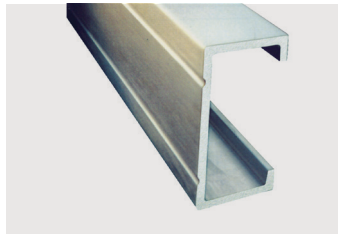


ABOUT THE BEL 150



EASY CASE SIZE CHANGES

Tool-less case size changes are simple and quick with change points accessible from both operational sides of the machine.



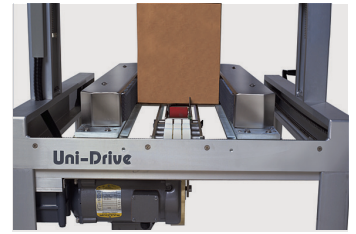
LASTING PERFORMANCE

Corrosion resistant and paint-free construction guards against machine wear and extends machine life.



ON MACHINE INSTRUCTIONS

User-friendly pictorial guides and color-coded labeling for convenient operation and size changes.



REPEATABILITY AND RELIABILITY

Wexxar Bel's Uni-Drive system synchronizes both side belts, eliminating case skew, ensuring a square seal even after extended periods of use.

COMPLETE SOLUTION



BEL 505 SERIES CASE FORMER

Semi-automatic case forming and packing stations provide an efficient and ergonomic solution for hand pack lines. The machine folds and holds the case in place for the user to pack with both hands.



ACCUMULATION TABLE

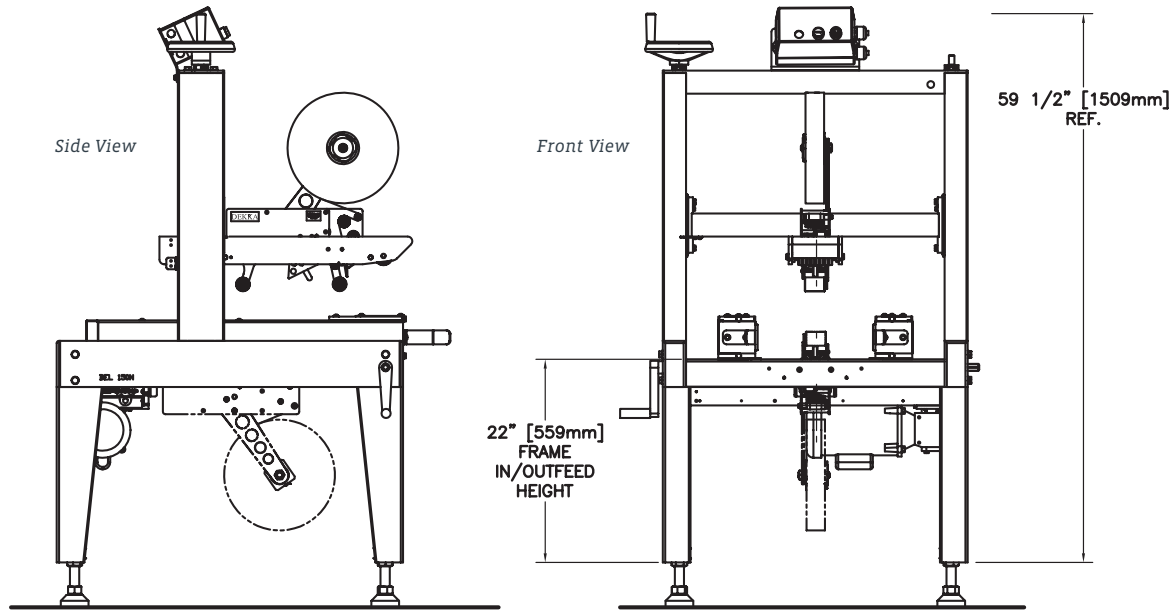
Ensures product is delivered continuously and ergonomically to the operator. This allows convenient and quick packing as it keeps the product in reach of the operator.



KDF BOX STAND

One of the most popular accessories for semi-automatic packaging lines. The box stand holds case blanks in a convenient position for quick and ergonomic packing.

CONFIGURATION



STANDARD FEATURES

- Robust construction and premium materials like anodized aluminum provide corrosion resistance and lasting performance
- Uni-Drive squaring technology that provides consistent and uniform seal on cases
- Designed and built in North America with premium materials
- 2 point tool-less case size changeover
- Simple and quick operation and maintenance
- Reliable, consistent “no break” tape advance with Dekka SE-22 stainless steel 2” tape heads

OPTIONAL MODIFICATIONS

- Modifications for undersized or oversized cases
- Enviroguard water resistant options available
- Gap Flap or other case style modifications
- Custom voltages
- 3” Tape head upgrade

OPTIONAL ACCESSORIES

- Locking Casters
- Infeed/Outfeed Table or Conveyor
- Accumulation Table

PRODUCT SPECIFICATIONS

Machine Weight	480 lbs
Machine Dimensions	37.5”(L) x 33”(W) x 59.5”(H)
Electrical	120 Volts, 1 PH, 60 Hz - 8 amp draw
Speeds	up to 30 cases per minute

CASE SIZE RANGE

	LENGTH	WIDTH	HEIGHT
Minimum	8" 203 mm	5" 127 mm	4.5" 114 mm
Maximum	no limit	18" 457mm	21" 533 mm

Upsize model available. Consult factory for case size ranges.

INFEEED/OUTFEEED HEIGHT

Minimum	25" (635 mm)
Maximum	32" (813 mm)

Note: Casters add 4" to minimum and maximum height

Specifications are subject to change without notice.

FOR MORE INFORMATION:
(604) 930-9300 • Wexxar.com



At Wexxar Bel, corrugated container packaging applications are limited only by the imagination. Our Wexxar case formers and case sealers have been installed in nearly 40 countries and consistently bring customers the lowest cost of ownership and the highest standards of safety. Wexxar also offers the BEL line of corrugated box sealers, tapers, and packing systems as well as the IPAK line of tray and bliss formers, stackers, and sealers systems. As part of the ProMach End of Line business line, Wexxar helps our packaging customers protect and grow the reputation and trust of their consumers. ProMach is performance, and the proof is in every package.

13471 Vulcan Way
Richmond, BC V6V 1K4
Canada

E: Wexxar@ProMachBuilt.com
Wexxar.com

P: (604) 930-9300

F: (604) 930-9368